

EN

CT-DeskStation

Operating manual

1	Safety notices.....	4
2	Introduction	5
3	Applications.....	6
4	Operation	7
4.1	Controls.....	7
4.2	Power on	8
4.3	Power off.....	8
4.4	PTT function.....	8
4.5	Communicating with the DECT group.....	9
5	Maintenance and care.....	10
5.1	Inspecting devices.....	10
5.2	Cleaning	10
6	Labeling.....	11
7	Abbreviations and terms	12





1 Safety notices

DANGER

Immediate hazardous situation. Results in death or serious injury.

WARNING

Potentially hazardous situation. May result in death or serious injury.

CAUTION

Potentially hazardous situation with minor or moderate injury.

NOTICE

Indicates a situation that, if not avoided, may cause damage to the product or other property. Used to indicate useful information for efficient and safe use of the product.



2 Introduction

The CT-DeskStation is an intercom station for connection to CT-ComLink products. A CT-DECT Case M7, for example, can be connected via the CLR interface.

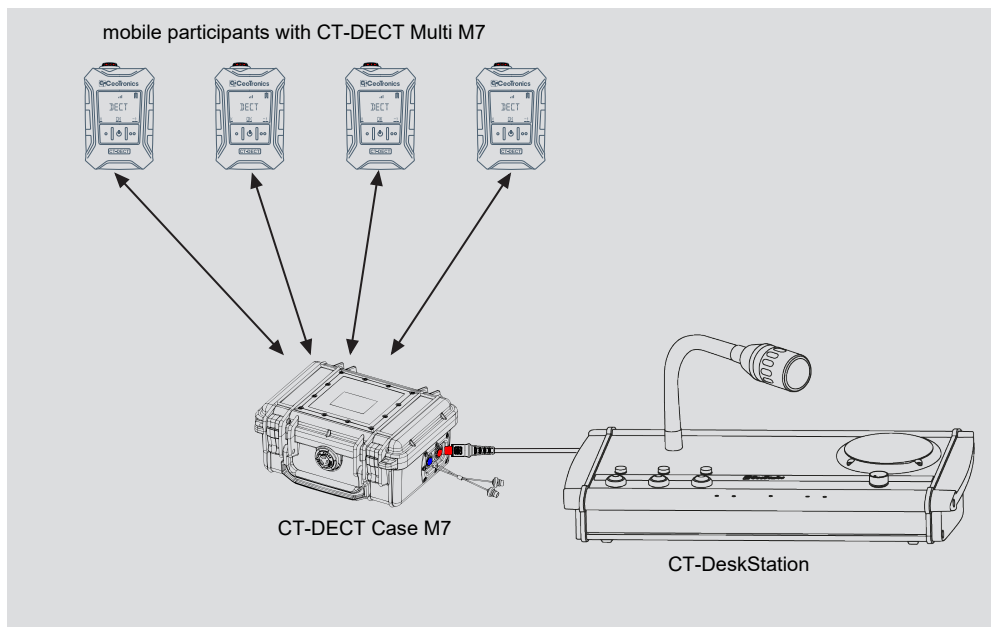


3 Applications

CT-DeskStation to CT-DECT Case M7

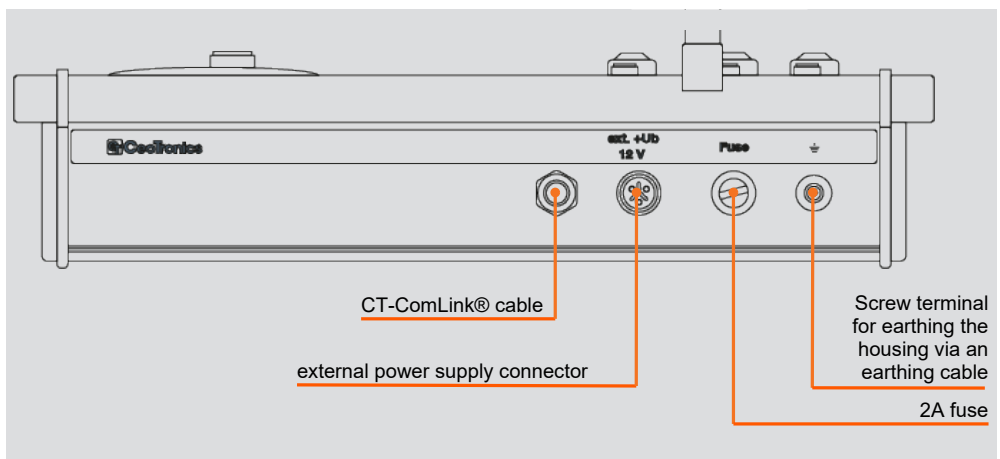
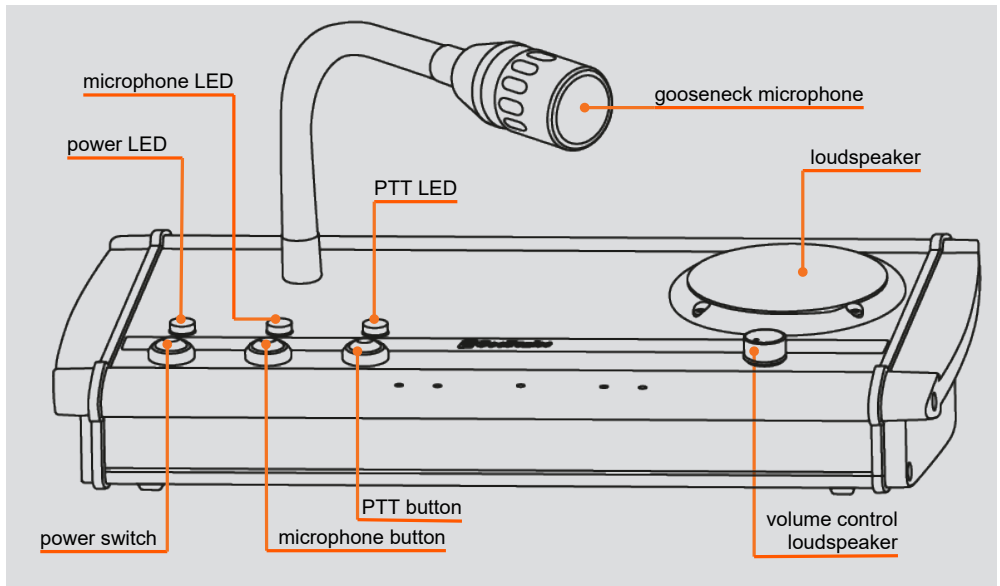
In this application example, the CT DeskStation is connected to a DECT group via a CT-DECT Case M7.

The communication of the DECT group can be heard via the loudspeaker. The gooseneck microphone can be used to speak to the DECT group.

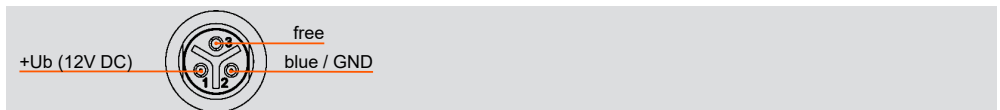


4 Operation

4.1 Controls



Contact assignment of the socket for the external power supply



4.2 Power on

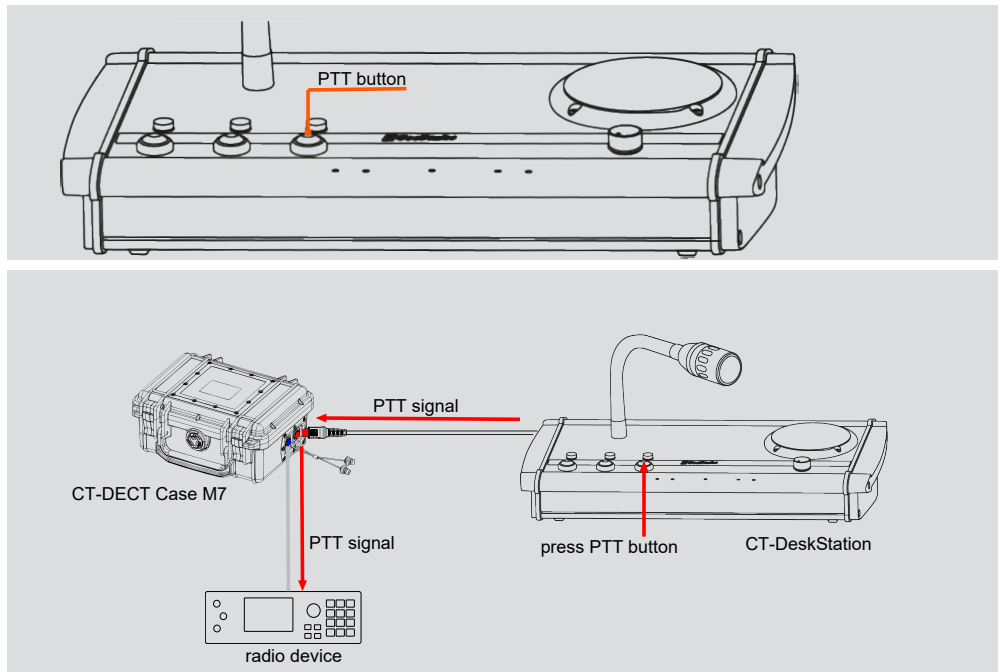
1. Connect the supplied power supply unit to the 'ext +Ub 12 V' connection on the rear of the CT DeskStation.
2. Connect a CT-DECT Case M7 via the CT-ComLink® cable.
3. Switch on the CT DeskStation using the power switch. The LED above the switch starts to light up red. The device is ready for operation.

4.3 Power off

Switch off the CT DeskStation using the power switch. The LED above the switch goes out.

4.4 PTT function

The PTT button allows you to activate the PTT function of a radio device that is connected to the DECT group.



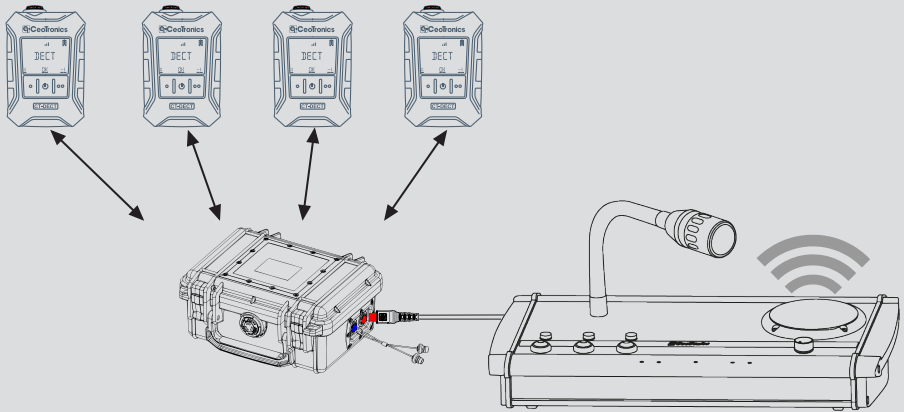
4.5 Communicating with the DECT group

The user of the CT DeskStation can always hear the DECT group. They can only speak to the DECT group if they press and hold the microphone button.

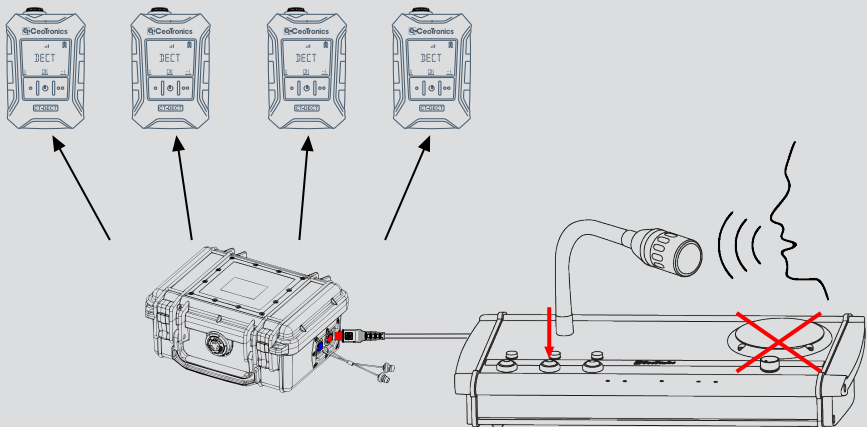
NOTICE

As long as the user presses the microphone button, the loudspeaker is inactive to prevent feedback.

Listening



Speaking



5 Maintenance and care

5.1 Inspecting devices

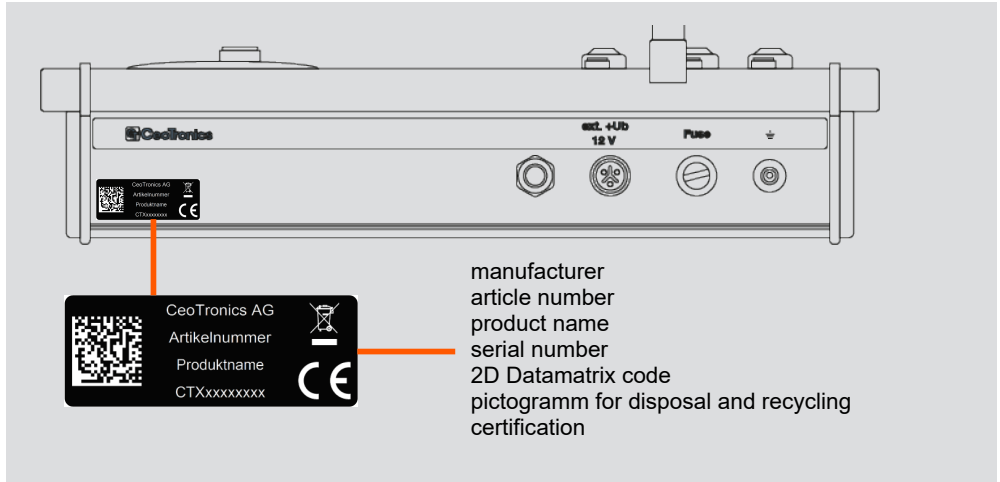
Routinely inspect your CeoTronics devices, especially cables and connectors, for damage and wear and have them repaired, if necessary.

5.2 Cleaning

Do not use alcohol or other solvents for cleaning. Clean the device with a suitable cloth moistened with clean water. If necessary, use a mild-soap solution, e.g. washing up liquid. Only use alcohol-free disinfectants. Clean the contacts of connectors with a standard contact cleaning agent.



6 Labeling



7 Abbreviations and terms

Abbreviation/term	Explanation
CT-ComLink® B (CLB)	B = Blue is usually used to connect a communication device or the CT-In-linePowerPack
CT-ComLink® R (CLR)	R = Rot dient in der Regel zum Anschluss eines Headsets
CT-ComLink® R (CLR)	R = Red is usually used to connect a CT-DeskStation (desk station with goosneck-microphone and speaker)
DECT	Digital Enhanced Cordless Telecommunications
Duplex	Duplex communication (also: full-duplex communication) allows simultaneous listening and talking without having to press a PTT button.
LED	Light Emitting Diode
M7	CT-DECT generation





CeoTronics AG

Audio · Video · Data Communication

Adam-Opel-Str. 6
63322 Rödermark (Deutschland)

Tel: +49 6074 8751-0
Fax: +49 6074 8751-676-265
E-Mail verkauf@ceotronics.com

